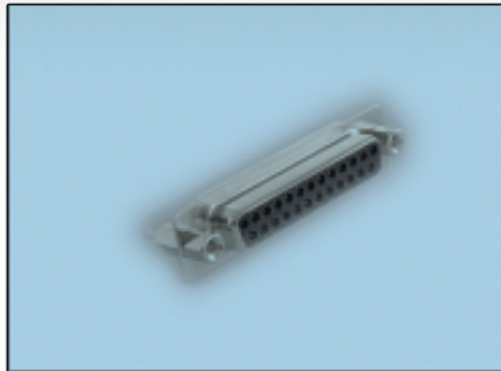
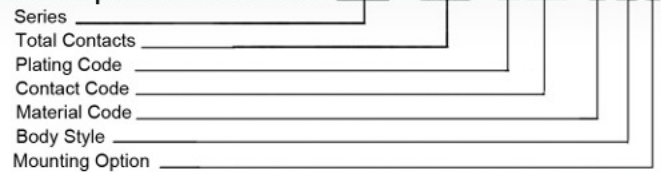




SERIES 627/628



Example Part Number 627 - 025 - 2 20 - 0 4 7



FEATURES

Both Low and High Profiles Available

.109 (2.77) contact spacing x .122 (2.82) row spacing

Plug and Receptacle in 9-, 15-, 25-, 37- and 50-pin Contact Sizes

Pin and Socket Contact Mating Design with PC Tail Termination

Metal Shell Provides EMI/RFI Shielding. Plug Shell Indents Provide Grounding and Additional Mating Retention

Grounding Features Include two-prong boardlock for Exceptional Retention to PC Board

Mounting options for panel mount or connector mating include through hole, threaded inserts and threaded standoffs

D-shaped connector mating outline provides polarization Design based on requirements of MIL-C-24308, EIA RS-232 and RS-449

SPECIFICATIONS

Insulator Material: Thermoplastic polyester UL 94V-0; chemical resistant; colour - black

Ferrite Specifications: Attenuation - 20db MIN @ 30Mhz, 30dB MIN @ 50MHz, and 50dB @ 100Mhz

Contact Material: Plug contacts- brass
Receptacle contacts - phosphor bronze

Contact Plating: Gold (see Ordering Code) over nickel for the mating area; tin plating on contact tails

Shell Material: Nickel-plated steel

Current Rating: 5 amperes

Contact Resistance: 10 milliohms maximum

Dielectric Withstanding Voltage: 1000 V AC rms @ sea level

Insulation Resistance: 5000 megohm minimum

Operating Temperature: -55 to + 105 degrees C

Engagement and Separation Force: 1 to 10 oz (0.28 to 2.78 N) per contact position

Series

627 Plug
628 Receptacle

Total Contacts 009, 015, 025, 037, 050

Plating Code

2 Gold Flash (Class 3)
3 15u" (0.38um) (Class 2)
6 30u" (0.76um) (Class 1)

Contact Code

20 **Description**
21 PC tail .125 (3.18)
22 PC tail .165 (4.18)
28 Solder Cup Termination
Ferrite Filter

Material Code

0 Indicates Generic Internal Use Code

Body Style

4 Metal Covered .276 (7.00) low profile
5 Metal Covered .472 (12.00) high profile
6 Metal Covered Machined Contacts Low Profile

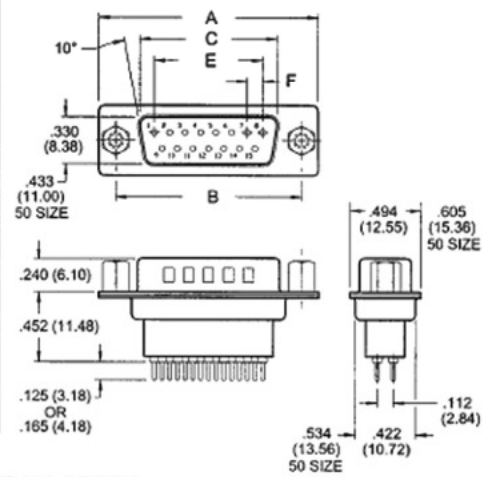
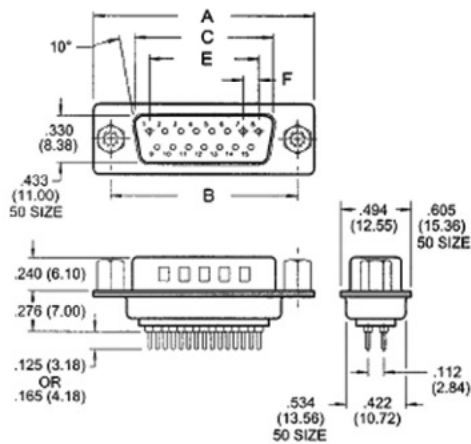
Mounting Option

1 .125" (3.18mm) dia. through-hole
2 #4-40 UNC threaded inserts
3 #4-40 UNC threaded standoffs
6 #4-40 threaded insert with boardlocks
7 #4-40 UNC threaded standoff with boardlocks
8 #4-40 UNC threaded fixed standoffs

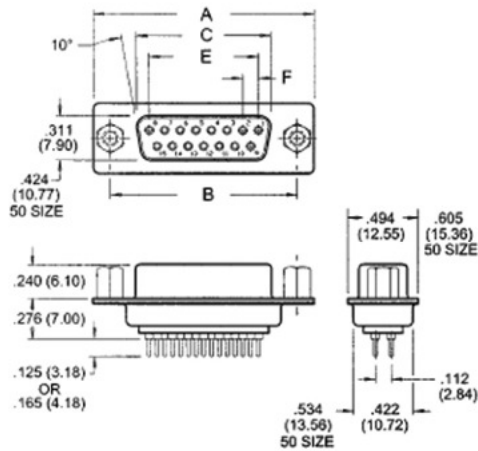
LOW PROFILE

PLUG 627 SERIES

HIGH PROFILE



RECEPTACLE 628 SERIES



NUMBER OF CONTACTS	A		B		C PLUG		C RECEPTACLE		E		F	
	Inch	(mm)	Inch	(mm)	Inch	(mm)	Inch	(mm)	Inch	(mm)	Inch	(mm)
9	1.214	(30.84)	.984	(24.99)	.667	(16.92)	.640	(16.26)	.432	(10.97)	.108	(2.74)
15	1.545	(39.24)	1.312	(33.32)	.994	(25.25)	.967	(24.56)	.756	(19.20)	.108	(2.74)
25	2.088	(53.04)	1.852	(47.04)	1.534	(38.96)	1.508	(38.30)	1.304	(33.12)	.109	(2.76)
37	2.730	(69.34)	2.500	(63.50)	2.182	(53.08)	2.156	(54.76)	1.956	(49.68)	.109	(2.76)
50	2.640	(67.05)	2.406	(61.11)	2.080	(52.83)	2.054	(52.17)	1.740	(44.20)	.109	(2.76)